



# ROOTS® Meters & Instruments

## DATA SHEET

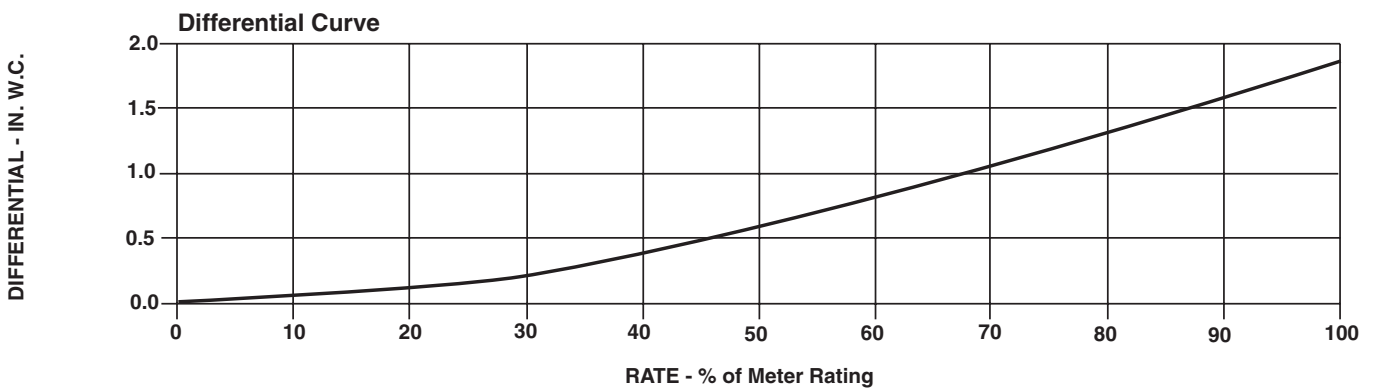
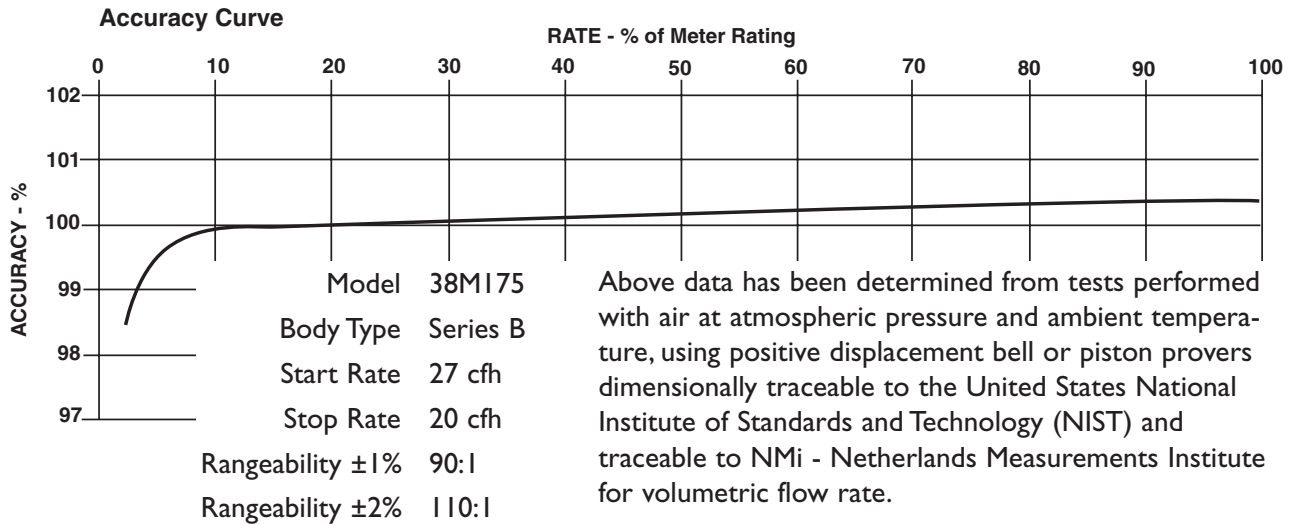
### SERIES B3: 38MI75 ROOTS® Meter

	<b>UNITS</b>	<b>Imperial</b>	<b>UNITS</b>	<b>Metric</b>
Temperature Range	deg. F	-40 to +140	deg. C	-40 to +60
Base Rating (Q Max.)	acfh	38000	m <sup>3</sup> /h	1050
Max. Operating Pressure (MAOP)	psig	175	kPa	1200
Leak Test (125% MAOP)	psig	219	kPa	1510
Static Test (2 x MAOP)	psig	350	kPa	2400
Rangeability +/- 1%	ratio	90:1	ratio	90:1
Rangeability +/- 2%	ratio	110:1	ratio	110:1
Start Rate	cfh	27	m <sup>3</sup> /h	0,7646
Stop Rate	cfh	20	m <sup>3</sup> /h	0,5663
Flow Rate @ 0.5" w.c., Gas	cfh	20600	m <sup>3</sup> /h	583,3
Avg. Differential, 100% Flow	in. w.c.	1.9	mbar	4,7
Max. Pressurization Rate	psig/sec	5	kPa/sec	35
Max. Operating Speed	rpm	1140	rpm	1140
Gear Ratio	ratio	180:1	ratio	63,5771:1
Displaced Volume/Revolution	cf	0.555556	m <sup>3</sup>	0,015723
Drive Rate, CD	cf/rev	100	m <sup>3</sup> /rev	1
Min. Odometer Reading	cf	2.0	m <sup>3</sup>	0,02
Odometer Turnover	yrs.	3.0	yrs.	1,1
Nominal Pipe Size	in.	6	mm	150
Flange-to-Flange	in.	18	mm	457,2
Flange Connection	ANSI	125#FF	ANSI	125#FF
Bolts per Flange	qty.	8	qty.	8
Bolt Size <sup>1</sup>	in.	3/4 - 10	in.	3/4 - 10
Flange Bolt Hole Depth	in.	1-5/8	mm	41,2
Bolt Torque: Lubricated/Non-Lub.	ft.-lb.	80	N-m	108
Restricting Orifice (120%)	in.	1-29/32	mm	48,419
Oil Capacity - Side Inlet	oz.	40.2	ml	1189
Oil Capacity - Top Inlet	oz.	154	ml	4554
<i>Counter Version (CTR)<sup>2</sup></i>				
Net Weight	lbs.	244	kg	110,7
Shipping Weight	lbs.	274	kg	124,3
Carton Size	in.	47 x 27 x 26	cm	120 x 69 x 66
<i>Counter with Instrument Drive (CD)<sup>2</sup></i>				
Net Weight	lbs.	247	kg	112,0
Shipping Weight	lbs.	277	kg	125,7
Carton Size	in.	47 x 27 x 26	cm	120 x 69 x 66

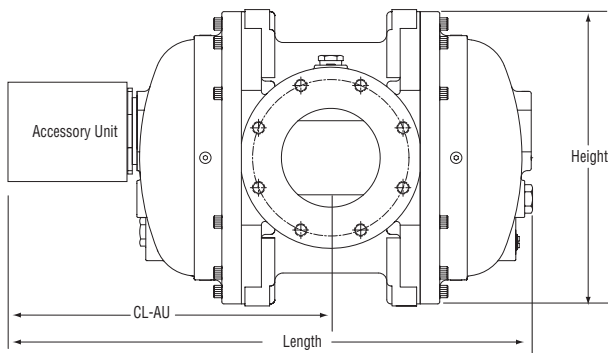
NOTES:

<sup>1</sup> Bolt Length varies by application.

<sup>2</sup> Weights and dimensions available for CPS upon request.



38M175 Series B3	Overall Length		Overall Height		Width (Flange/Flange)		Centerline to Accessory End (CL-AU)		Request Detailed Drawing Number
	inches	mm	inches	mm	inches	mm	inches	mm	
CTR	34-5/8	879	18	457	18	457	14-25/32	375	D054750-001
CD	38-3/16	967	18	457	18	457	23-7/32	590	D054433-001
CPS	36-3/4	933	18	457	18	457	14-25/32	375	D054751-001



#### To order

Specify: Meter Series, Size and Type (i.e., ROOTS Meter Series B3 38M175 CD).  
 For CD, specify Inlet (Top or Side) and ID Rotation (CW-B or CCW-A).  
 For Pulsar, specify Single or Dual Connectors and Connector Type (MS Circular, Conduit or Cable Gland).  
 For more specific ordering information on the electronic products, request: TS:SSP or TS:MC.  
 Contact the factory for other available information, options, or special requests.



### Dresser Roots Meters & Instruments

P. O. Box 42176  
 Houston, TX USA 77242-2716  
 website: www.dresser.com

### Dresser, Inc.

Inside US Ph: 800.521.1114 Fax: 800.335.5224  
 Outside US Ph: 281.966.4300 Fax: 281.966.4308  
 www.rootsmeters.com