



GOVERNOR

Line Pressure Regulators

Over Pressure Device (DC) Model

10 PSIG



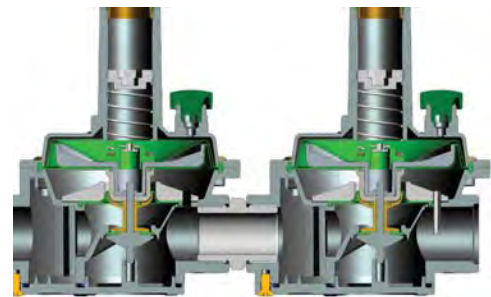
Over Pressure Device (DC) Model
Inlet Pressure Range: 3 PSIG to 10 PSIG

Main Features

- 2 stage out for added Safety
- CSA 6.22a-2005 ANSI Z21.80A2005 Class I and Class II for outlet pressures up to 14" W.C. and inlet pressures up to 10 PSIG Certified
- Two stage regulation for Over Pressure Protection
- Intergal Vent Limiter
- External Vent Limiter – no vent line required**
- Positive 100% bubble tight lockup
- Inlet and Outlet test ports
- 500 to 1 Turndown

Specifications

- Suitable for use with Natural Gas, LPG, and other non-corrosive, clean gas
- Inlet Pressure: 3 PSIG to 10 PSIG
- Max. Inlet 10 PSIG for CSA and non-CSA applications
- Outlet pressure: 2" W.C. to 1 PSIG for CSA and up to 3 PSIG for non-CSA applications
- Temperature range: -40°F to 150°F
- Connections: 1/2" thru 4"
- Maximum Emergency Inlet Exposure Pressure: 80 PSIG
- Suitable for Indoor or Outdoor Installation



Vent Sizes

- 1/4" NPT 1/2" – 1"
- 1/2" NPT 1 1/4" – 4"

Outlet Spring Range

- Green 2" W.C. to 5.1" W.C.*
- Red 2.75" W.C. to 7.87" W.C.*
- White 4" W.C. to 11.8" W.C.*
- Black 6" W.C. to 14" W.C.*
- Yellow 9.8" W.C. to 27.5" W.C.*
- Violet 23.6" W.C. to 59" W.C. or 0.85 to 2.13 PSIG *
- Orange 55" W.C. to 118" W.C. or 2 to 4.26 PSIG

*Spring is CSA outlet pressure certified

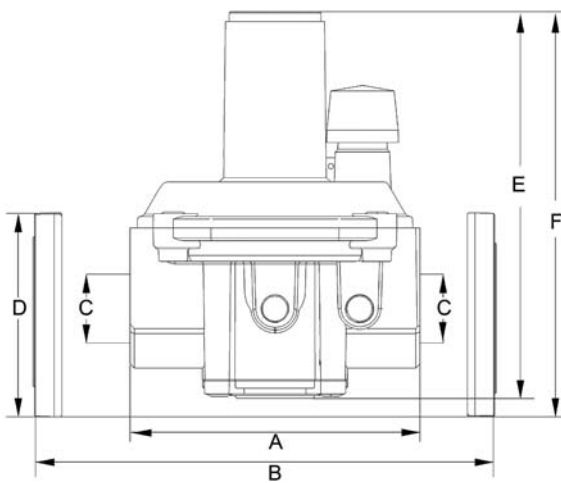
**GOVERNOR
Over Pressure Device (DC) Model**



CAPACITY IN CFH FOR .60 SPECIFIC GRAVITY GAS

	Outlet Pressure Set Point	Operating Inlet Pressure		
		3 PSIG	5 PSIG	10 PSIG
30051DC ½"	8" W.C.	635	928	928
	11" W.C.	628	928	928
	14" W.C.	558	928	928
30052DC ¾"	8" W.C.	848	1,115	1,115
	11" W.C.	778	1,115	1,115
	14" W.C.	698	1,115	1,115
30053DC 1"	8" W.C.	1,059	1,501	1,501
	11" W.C.	1,093	1,501	1,501
	14" W.C.	906	1,501	1,501
30150DC ½" High Capacity	8" W.C.	1,695	2,205	2,205
	11" W.C.	1,471	2,205	2,205
	14" W.C.	1,325	2,205	2,205
30151DC ¾" High Capacity	8" W.C.	2,084	2,785	2,785
	11" W.C.	1,858	2,785	2,785
	14" W.C.	1,674	2,785	2,785
30152DC 1" High Capacity	8" W.C.	2,437	3,308	3,308
	11" W.C.	2,206	3,308	3,308
	14" W.C.	1,988	3,308	3,308
30153DC 1¼"	8" W.C.	5,297	7,891	7,891
	11" W.C.	5,264	7,891	7,891
	14" W.C.	4,743	7,891	7,891
30154DC 1½"	8" W.C.	5,650	8,240	8,240
	11" W.C.	5,496	8,240	8,240
	14" W.C.	4,952	8,240	8,240
30155DC 2"	8" W.C.	10,947	15,087	15,087
	11" W.C.	10,064	15,087	15,087
	14" W.C.	9,068	15,087	15,087
30157DC 3"	8" W.C.	16,810	23,202	23,202
	11" W.C.	15,715	23,202	23,202
	14" W.C.	13,768	23,202	23,202
30158DC 4"	8" W.C.	29,452	40,612	40,612
	11" W.C.	27,545	40,612	40,612
	14" W.C.	24,094	40,612	40,612

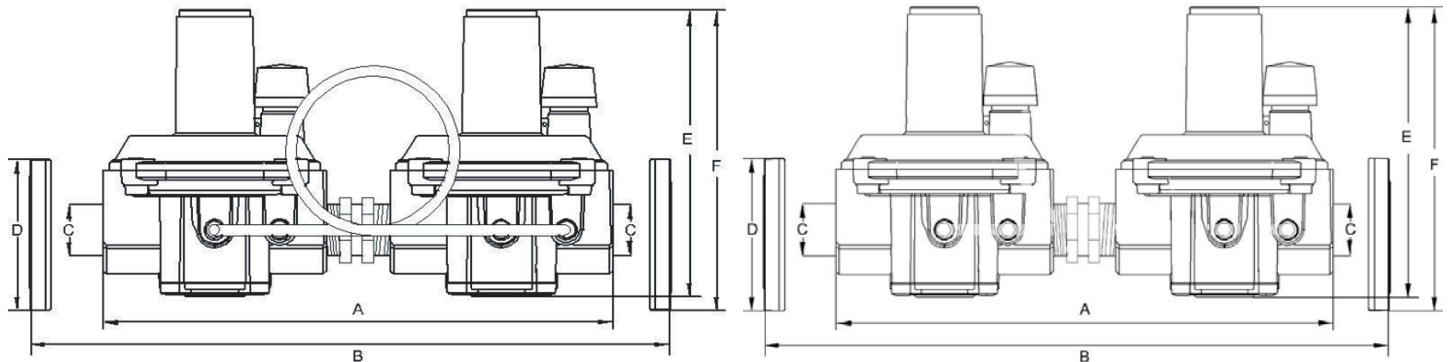
GOVERNOR Standard Model - Dimensions



DIMENSIONS (IN INCHES)

Model #	Size	A	B	C	D	E	F	Weight (Lbs)
30051	1/2" NPT	4.12 4.45 w/Filter	-	1/2	-	5.59	-	1.54
30052	3/4" NPT	4 4.29 w/Filter	-	3/4	-	5.59	-	1.54
30053	1" NPT	4 4.29 w/Filter	-	1	-	5.59	-	1.54
30150	1/2" NPT	5.43	-	1/2	-	6.89	-	2.75
30151	3/4" NPT	5.28	-	3/4	-	6.89	-	2.75
30152	1" NPT	5.28	-	1	-	6.89	-	2.75
30153	1 1/4" NPT	7.64	-	1 1/4	-	10	-	7.5
30154	1 1/2" NPT	7.64	-	1 1/2	-	10	-	7.5
30155	2" NPT	9.29	-	2	-	12.44	13.74	12.34
30156/F	2 1/2" FLANGED	-	16.9	3	ANSI 150	-	17.09	27.56
30157/F	3" FLANGED	-	16.9	3	ANSI 150	-	17.09	27.56
30158/F	4" FLANGED	-	16.9	4	ANSI 150	-	19.76	27.56

GOVERNOR Over Pressure Device (OPD) Model & Dual Cut (DC) Model - Dimensions



DIMENSIONS (IN INCHES)

Model #	Size	A	B	C	D	E	F	Weight (Lbs)
30051	1/2" NPT	8.86	-	1/2	-	5.59	-	3.25
30052	3/4" NPT	8.86	-	3/4	-	5.59	-	3.25
30053	1" NPT	8.86	-	1	-	5.59	-	3.25
30150	1/2" NPT	11.22	-	1/2	-	6.89	-	5.75
30151	3/4" NPT	11.22	-	3/4	-	6.89	-	5.75
30152	1" NPT	11.22	-	1	-	6.89	-	5.75
30153	1 1/4" NPT	16.61	-	1 1/4	-	10	-	15.5
30154	1 1/2" NPT	16.61	-	1 1/2	-	10	-	15.5
30155	2" NPT	19.88	-	2	-	12.44	13.74	25
30156/F	2 1/2" FLANGED	-	33.93	3	ANSI 150	-	17.09	56
30157/F	3" FLANGED	-	33.93	3	ANSI 150	-	17.09	56
30158/F	4" FLANGED	-	33.93	4	ANSI 150	-	19.76	56