



# GOVERNOR

## Line Pressure Regulators

### Standard Model

# 2 PSIG



**Standard Model**  
Inlet Pressure Range: 3" W.C. to 2 PSIG

### Main Features

- CSA 6.22a-2005 ANSI Z21.80A2005 Class I for outlet pressures up to 14" W.C. Certified
- Integral Vent Limiter
- External Vent Limiter – no vent line required\*\*
- Positive 100% bubble tight llockup
- Inlet and Outlet test ports
- 500 to 1 Turndown

### Specifications

- Suitable for use with Natural Gas, LPG, and other non-corrosive, clean gas
- Inlet Pressure: 3" W.C. to 2 PSIG CSA approved SA Appr
- Max. Inlet 7.25 PSIG for non-CSA applications
- Outlet pressure: 2" W.C. to 14" W.C. and up to 4.25 PSIG for non-CSA applications
- Temperature range: -40°F to 150°F
- Connections: 1/2" thru 4"
- Maximum Emergency Inlet Exposure Pressure: 80 PSIG
- Suitable for Indoor or Outdoor Installation



### Vent Sizes

- 1/4" NPT 1/2" – 1"
- 1/2" NPT 1 1/4" – 4"

### Outlet Spring Range

- Green 2" W.C. to 5.1" W.C.\*
- Red 2.75" W.C. to 7.87" W.C.\*
- White 4" W.C. to 11.8" W.C.\*
- Black 6" W.C. to 14" W.C.\*
- Yellow 9.8" W.C. to 27.5" W.C.
- Violet 23.6" W.C. to 59" W.C. or 0.85 to 2.13 PSIG
- Orange 55" W.C. to 118" W.C. or 2 to 4.26 PSIG

\*Spring is CSA outlet pressure certified

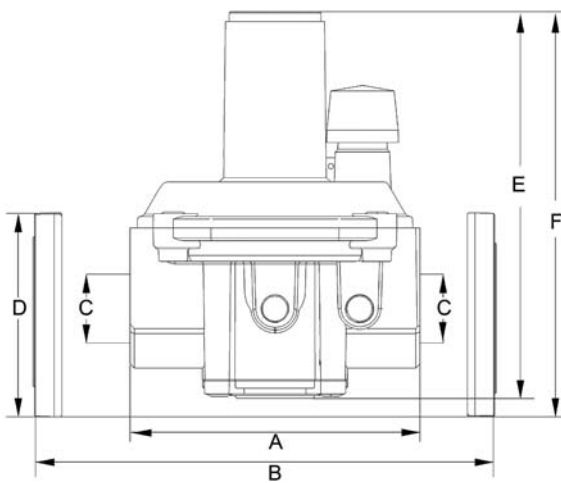
**\*\*As Approved by Local Codes and Standards**

**CAPACITY IN CFH FOR .60 SPECIFIC GRAVITY GAS**

	Outlet Pressure Set Point		Operating Inlet Pressure	
<b>30051 ½"</b>		14" W.C.	1 PSIG	2 PSIG
	8" W.C.	386	635	928
	11" W.C.	297	628	928
<b>30052 ¾"</b>	Outlet Pressure Set Point		Operating Inlet Pressure	
	8" W.C.	386	848	1,155
	11" W.C.	297	778	1,155
<b>30053 1"</b>	Outlet Pressure Set Point		Operating Inlet Pressure	
	8" W.C.	386	1,059	1,501
	11" W.C.	297	974	1,501
<b>30150 ½" High Capacity</b>	Outlet Pressure Set Point		Operating Inlet Pressure	
	8" W.C.	891	1,695	2,205
	11" W.C.	656	1,471	2,205
<b>30151 ¾" High Capacity</b>	Outlet Pressure Set Point		Operating Inlet Pressure	
	8" W.C.	1,125	2,084	2,785
	11" W.C.	829	1,858	2,785
<b>30152 1" High Capacity</b>	Outlet Pressure Set Point		Operating Inlet Pressure	
	8" W.C.	1,337	2,437	3,308
	11" W.C.	985	2,206	3,308
<b>30153 1¼"</b>	Outlet Pressure Set Point		Operating Inlet Pressure	
	8" W.C.	3,189	5,297	7,891
	11" W.C.	2,349	5,264	7,891
<b>30154 1½"</b>	Outlet Pressure Set Point		Operating Inlet Pressure	
	8" W.C.	3,330	5,650	8,240
	11" W.C.	2,453	5,496	8,240
<b>30155 2"</b>	Outlet Pressure Set Point		Operating Inlet Pressure	
	8" W.C.	6,097	10,947	15,087
	11" W.C.	4,491	10,064	15,087
<b>30156/F 2½"</b>	Outlet Pressure Set Point		Operating Inlet Pressure	
	8" W.C.	7,487	13,497	19,166
	11" W.C.	5,319	12,484	19,238
<b>30157/F 3"</b>	Outlet Pressure Set Point		Operating Inlet Pressure	
	8" W.C.	9,676	16,810	23,202
	11" W.C.	7,451	15,715	23,202
<b>30158/F 4"</b>	Outlet Pressure Set Point		Operating Inlet Pressure	
	8" W.C.	16,951	29,452	40,612
	11" W.C.	13,066	27,545	40,612

Recommended for no more than 80% slated capacity, for optimal performance. For additional sizing, visit [www.gasinside.com](http://www.gasinside.com)  
[www.GasInside.com](http://www.GasInside.com) • 888.618.8787

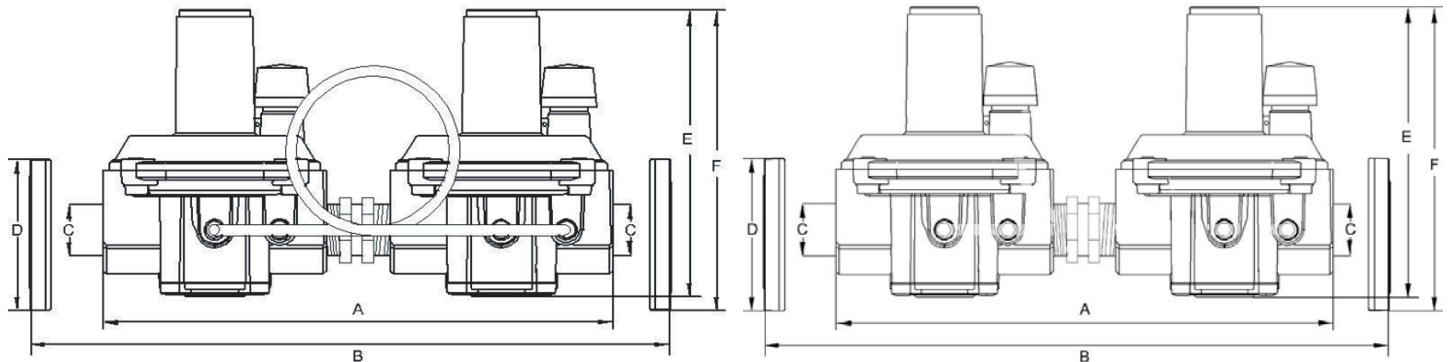
# GOVERNOR Standard Model - Dimensions



## DIMENSIONS (IN INCHES)

Model #	Size	A	B	C	D	E	F	Weight (Lbs)
30051	1/2" NPT	4.12 4.45 w/Filter	-	1/2	-	5.59	-	1.54
30052	3/4" NPT	4 4.29 w/Filter	-	3/4	-	5.59	-	1.54
30053	1" NPT	4 4.29 w/Filter	-	1	-	5.59	-	1.54
30150	1/2" NPT	5.43	-	1/2	-	6.89	-	2.75
30151	3/4" NPT	5.28	-	3/4	-	6.89	-	2.75
30152	1" NPT	5.28	-	1	-	6.89	-	2.75
30153	1 1/4" NPT	7.64	-	1 1/4	-	10	-	7.5
30154	1 1/2" NPT	7.64	-	1 1/2	-	10	-	7.5
30155	2" NPT	9.29	-	2	-	12.44	13.74	12.34
30156/F	2 1/2" FLANGED	-	16.9	3	ANSI 150	-	17.09	27.56
30157/F	3" FLANGED	-	16.9	3	ANSI 150	-	17.09	27.56
30158/F	4" FLANGED	-	16.9	4	ANSI 150	-	19.76	27.56

# GOVERNOR Over Pressure Device (OPD) Model & Dual Cut (DC) Model - Dimensions



## DIMENSIONS (IN INCHES)

Model #	Size	A	B	C	D	E	F	Weight (Lbs)
30051	1/2" NPT	8.86	-	1/2	-	5.59	-	3.25
30052	3/4" NPT	8.86	-	3/4	-	5.59	-	3.25
30053	1" NPT	8.86	-	1	-	5.59	-	3.25
30150	1/2" NPT	11.22	-	1/2	-	6.89	-	5.75
30151	3/4" NPT	11.22	-	3/4	-	6.89	-	5.75
30152	1" NPT	11.22	-	1	-	6.89	-	5.75
30153	1 1/4" NPT	16.61	-	1 1/4	-	10	-	15.5
30154	1 1/2" NPT	16.61	-	1 1/2	-	10	-	15.5
30155	2" NPT	19.88	-	2	-	12.44	13.74	25
30156/F	2 1/2" FLANGED	-	33.93	3	ANSI 150	-	17.09	56
30157/F	3" FLANGED	-	33.93	3	ANSI 150	-	17.09	56
30158/F	4" FLANGED	-	33.93	4	ANSI 150	-	19.76	56