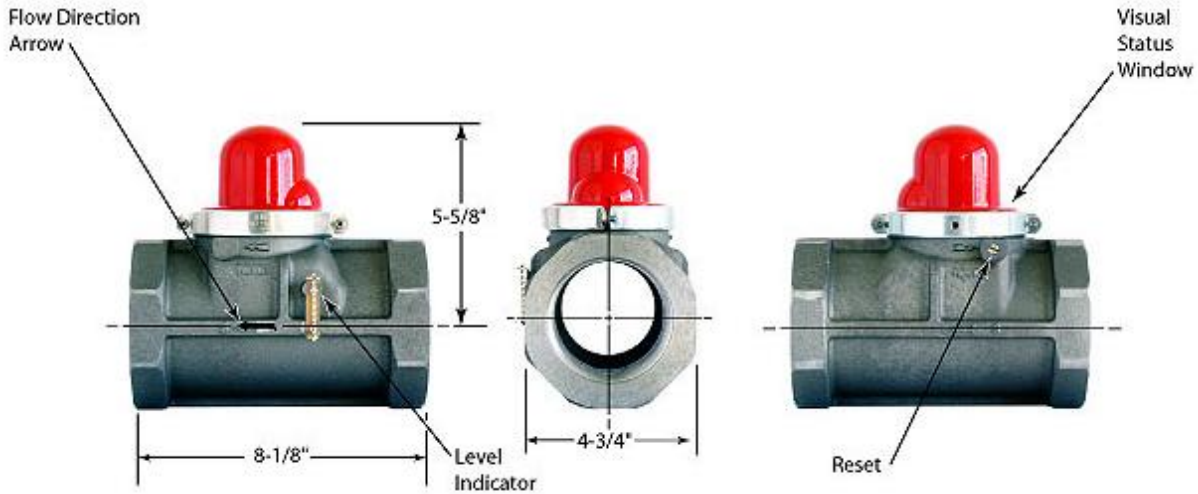


3" Model 315-60 NPT Valve

Horizontal or Vertical Flow



Nominal Pipe Size	Length	Octagon	Weight	Application Data	
				Max. Pressure	Fuel
3"	8-1/8"	4-3/4"	9 lbs	60 psig	Dry Fuel Gas

Specifications & Response To Seismic Disturbance

- Manual Reset
- High flow efficiency with minimal pressure drop
- Positive closure, soft seal seating
- Visual open-close indicator
- Made in the USA
- Meets ASCE 25-97

The valve shall close within five seconds when subjected to a horizontal, sinusoidal oscillation with the following characteristics:

	Peak Acceleration	Period
1.	0.7G	0.13 Seconds
2.	0.4G	0.2 Seconds
3.	0.3G	0.4 Seconds
4.	0.25G	1.00 Seconds

The valve shall not close when subjected for five seconds to each of three horizontal, sinusoidal oscillations with the following characteristics:

	Peak Acceleration	Period
1.	0.4G	0.1 Seconds
2.	0.2G	0.2 Seconds
3.	0.15G	0.40 Seconds
4.	0.10G	1.00 Seconds



Capacity Charts

Capacity charts represent CFH of natural gas at 60° F

Use the following charts to determine the approximate loss of pressure (in inches water column) through the valve.

1. Identify maximum inlet pressure to the valve.
2. Identify maximum Cubic Feet/Hour - CFH
3. See Column 1 for the pressure drop.

3" EV315-60							
Capacity - CFH							
$C_v = 336$							
315-60							
Delta P	Operating Pressure						
"W.C.	1 PSI	2 PSI	5 PSI	10 PSI	20 PSI	40 PSI	60 PSI
0.5	13,253	13,669	14,847	16,627	19,709	24,748	28,921
1	18,732	19,321	20,988	23,505	27,866	34,993	40,896
2	26,461	27,294	29,654	33,217	39,388	49,471	57,882
5	41,694	43,017	46,759	52,406	62,181	78,144	91,359

Horizontal Flow
315-60



Vertical Flow – Down
VT315-60



Vertical Flow - Up
VB315-60

